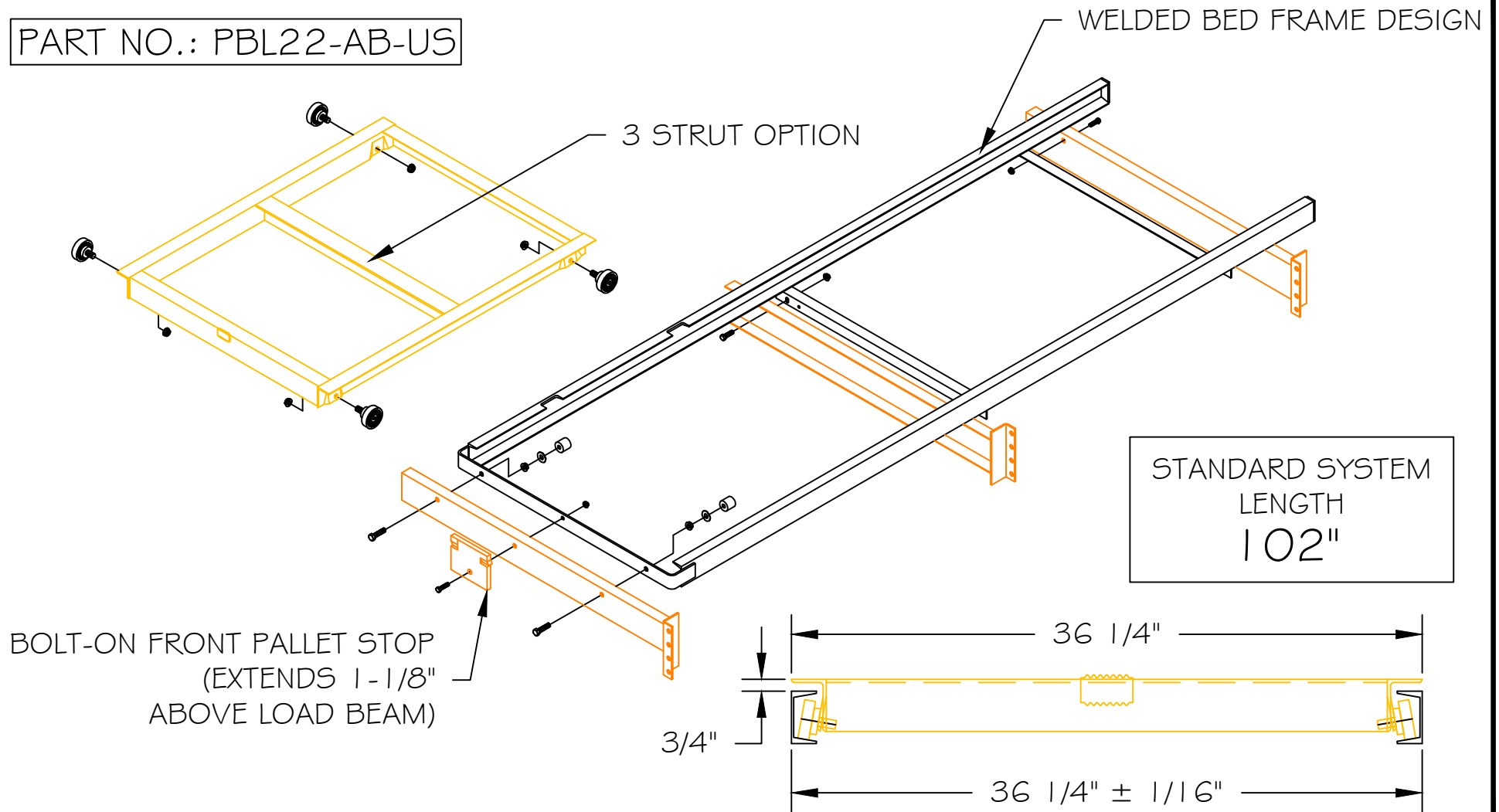


2 DEEP M SERIES LOPRO PUSHBACK SYSTEM

PART NO.: PBL22-AB-US



STANDARD LOAD RANGE 40"-56" DEEP
PALLET WIDTH RANGE 34"-48"

STANDARD RAIL PITCH: 5/16" PER FOOT
STANDARD SECTION BASED ON 40" WIDE PALLET

REV.	DESCRIPTION	DATE	BY
A	ADDED STD LOADS AND PALLET WIDTH RANGE	6/13/13	LAN

THIS DOCUMENT CONTAINS PROPRIETARY MATERIAL AND/OR INFORMATION WHICH IS OWNED BY ADVANCE STORAGE PRODUCTS, AND WHICH IS GIVEN IN CONFIDENCE. THE PARTY ACCEPTING THIS DOCUMENT ASSUMES CUSTODY THEREOF AND AGREES NOT TO REPRODUCE, TO USE IN ANY WAY INCLUDING MANUFACTURING, OR TO DIVULGE TO A THIRD PARTY THE DOCUMENT OR DETAILS HEREIN WITHOUT EXPRESS WRITTEN PERMISSION FROM ADVANCE.

DRAWN BY: JFM	DATE: 4/5/13
FILE LOCATION: G:\2 ENGINEERING\1 PRIVATE - ENGINEERING TEAM ONLY\ENGINEERING\SALES TOOLS\SALES DETAILS-B.DWG	
REV. A	

